

Integration Kit

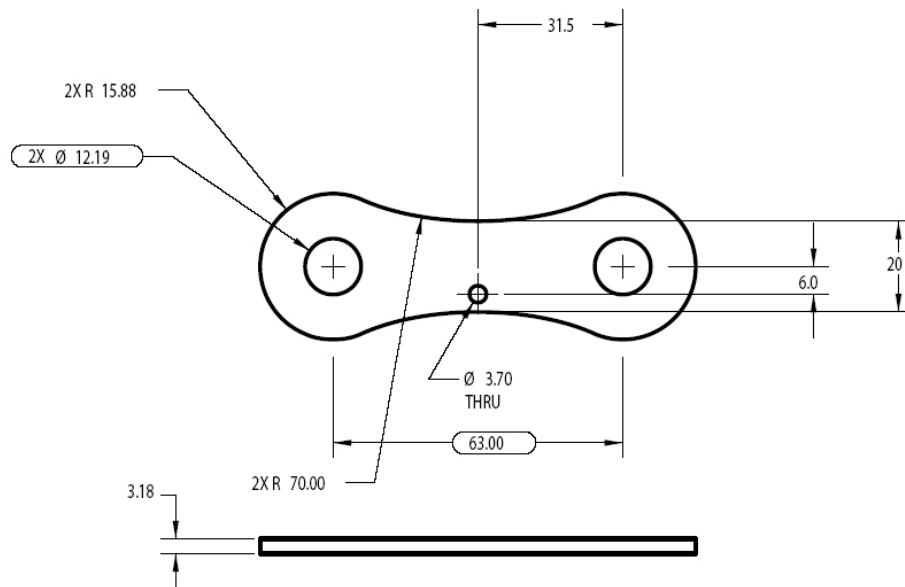
> Features:

- >> Simple design and assembly
- >> Maximize system lifetime by protecting individual cell against over voltage during rated system use
- >> Compatible with BCAP3000, 2000, 1500, 1200 and 650

> Applications:

- >> Fast Prototyping
- >> Application specific modules

> Dimensions:



Ordering info: BKIT-MCINT (106927)

Package contents consists of voltage management board, bus bar and hardware.

Product dimensions and specifications may change without notice. Please contact Maxwell Technologies directly for any technical specifications critical to application.

Worldwide Headquarters

MAXWELL TECHNOLOGIES
 9244 Balboa Avenue • San Diego, 92123 CA, USA
 PHONE: +(1) 858 503 3300
 FAX: +(1) 858 503 3301
 EMAIL: info@maxwell.com

European Office

MAXWELL TECHNOLOGIES SA
 CH-1728 Rossens • Switzerland
 PHONE: +41 (0) 26 411 85 00
 FAX: +41 (0) 26 411 85 05
 EMAIL: info@maxwell.com

> Specifications:

> Operating Voltage Range: (Individual Cell)

Voltage management range: +2.73 volts to +2.86 volts DC

> Balance Current:

Normal balance current: 0 to +300mA maximum

> Balance Voltage Accuracy:

V_s=2.73 to 2.86V ±0.100V DC
 Temperature coefficient: ±0.00025V / °C

> Leakage Current (V_s=5V and I_o=0):

25°C ±50µA maximum
 50°C ±100µA maximum

> Environment:

Temperature range
 Operating: -40 to 65°C
 Storage: -40 to 85°C

Humidity: 0 to 90% non-condensing at 25°C
 0 to 70% non-condensing at 50°C

> Mounting Recommendations:

For complete mounting instructions, please refer to the Cell Balance Board User's Guide.

Torque each connection to 10 N-m.

The Maxwell Technologies cell balance boards are designed to limit any over voltage of the individual capacitors during proper rated system use. The circuit is capable of providing up to 300mA of current to reduce over voltage on cells. When cells are balanced, the circuit draws less than 50µA (approximately 1% of the typical leakage current of a 3000 F cell), so there is no need to externally control the circuit.

Worldwide Headquarters

MAXWELL TECHNOLOGIES
 9244 Balboa Avenue • San Diego, 92123 CA, USA
 PHONE: +(1) 858 503 3300
 FAX: +(1) 858 503 3301
 EMAIL: info@maxwell.com

European Office

MAXWELL TECHNOLOGIES SA
 CH-1728 Rossens • Switzerland
 PHONE: +41 (0) 26 411 85 00
 FAX: +41 (0) 26 411 85 05
 EMAIL: info@maxwell.com

Maxwell
 TECHNOLOGIES
 www.maxwell.com