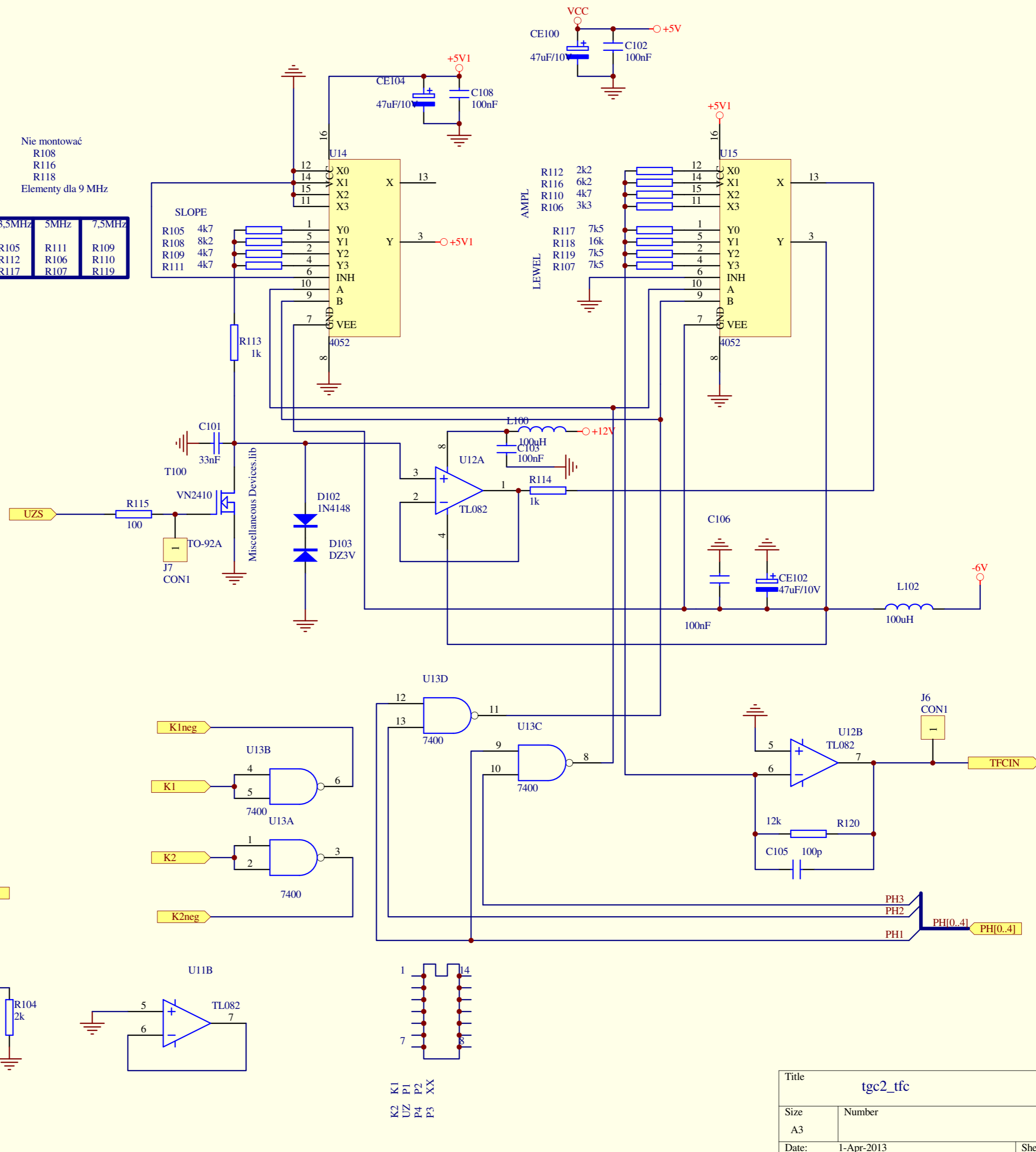


Nie montować
R108
R116
R118
Elementy dla 9 MHz

SLOPE	3,5MHz	5MHz	7,5MHz
AMPL	R105	R111	R109
LEWEL	R112	R106	R110
	R109	R107	R119
	R111		



Title		
tgc2_tfc		
Size	Number	Revision
A3		
Date:	1-Apr-2013	Sheet of
File:	C:\Documents and Settings\Hubert\Pulpit\Edmund\Biomik2006\odbiomik_2006_v2.dbr	1